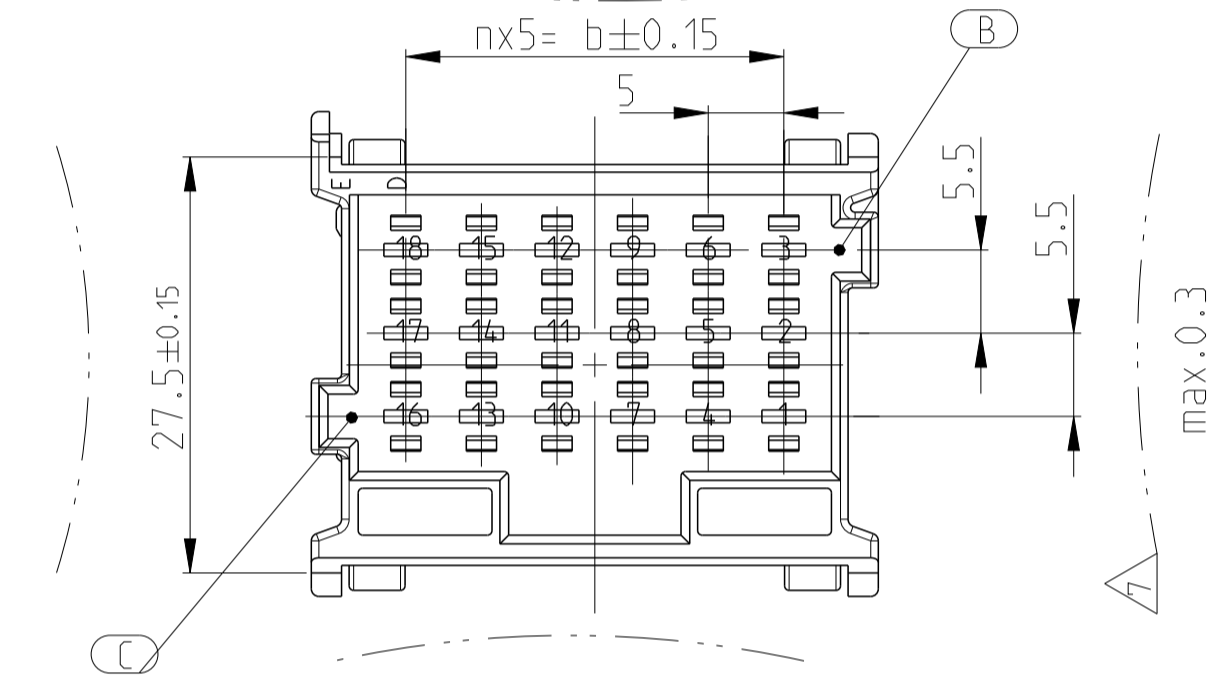
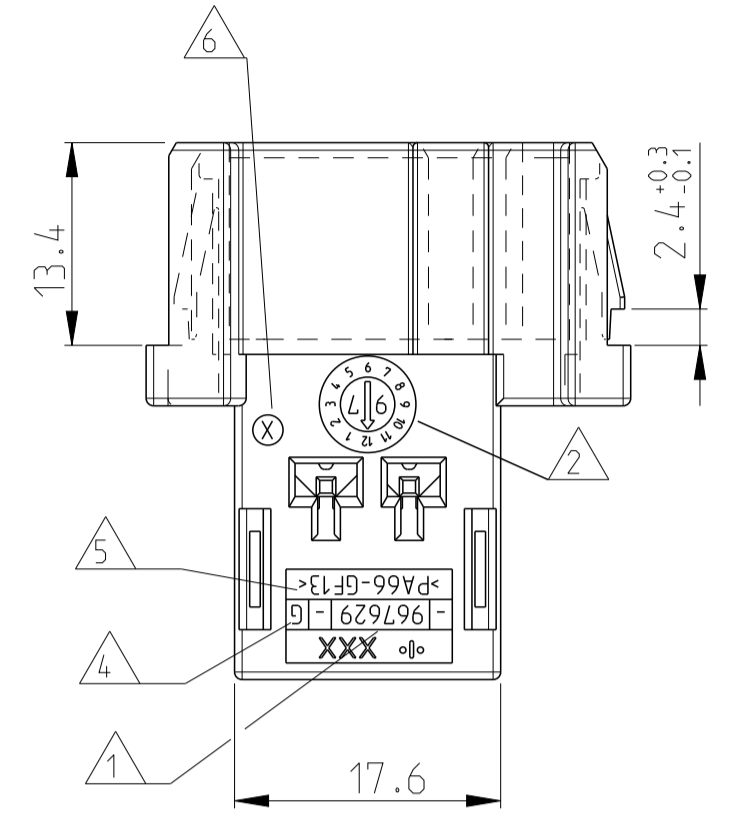
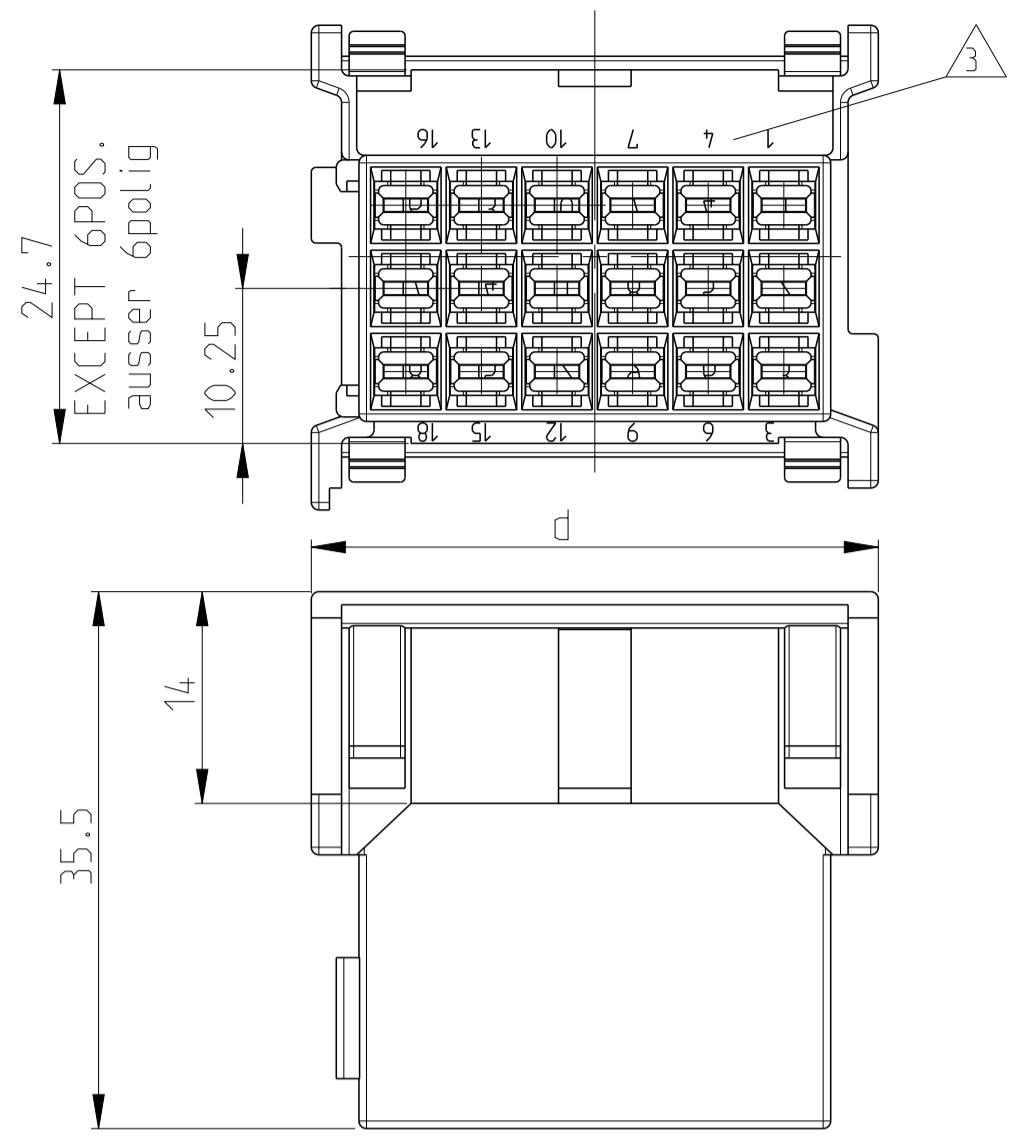
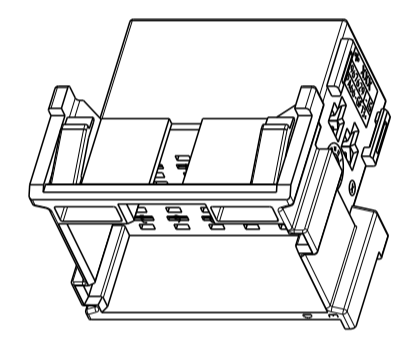


| REVISIONS |     |   |           |               |
|-----------|-----|---|-----------|---------------|
| P.        | LTN | DESCRIPTION   | DATE      | OWN APVD      |
| C6        |     | View updated: New variant 1-967629-0 added              | 18JUN2012 | Mahnke Krauss |
| C7        |     | Location code changed                                   | 30JUL2013 | Ho. Krauss    |
| D         |     | Changed tab headers material from PA66-GF13 to PBT-GF15 | 2FEB2019  | JJH GB        |
| E         |     | Changed tab headers material from PBT-GF15 to PA66-GF13 | 13NOV2019 | GB SZG        |



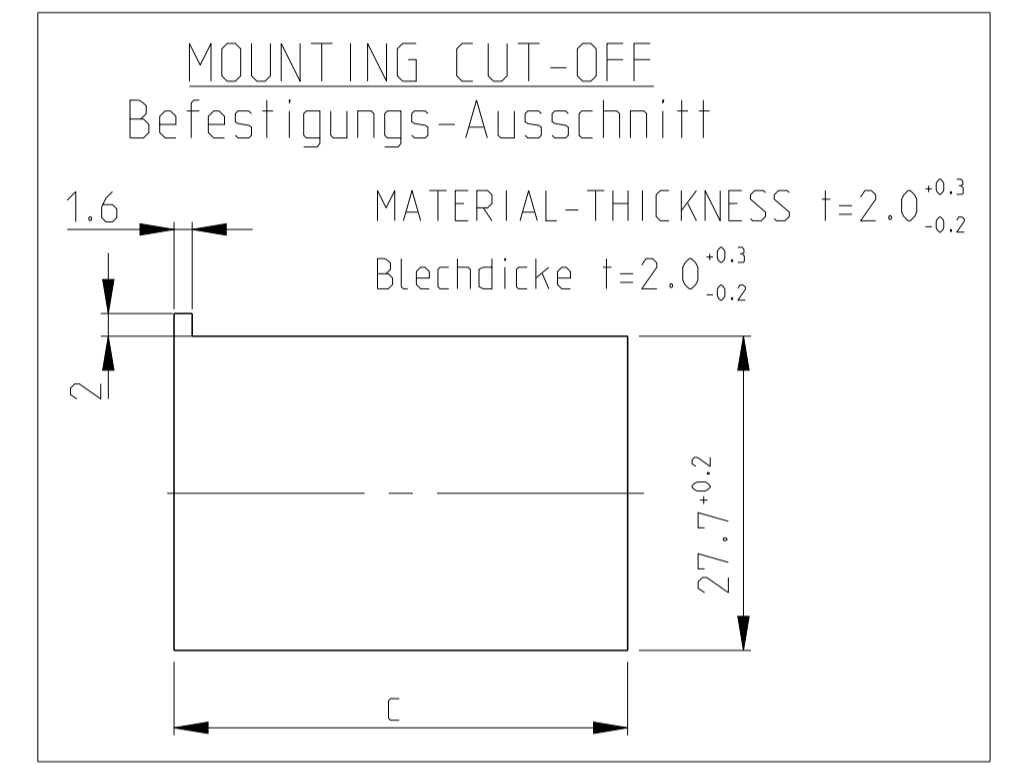
CODING A (GROOVES B-C) AS SHOWN  
 (1-967629- ...) Kodierung A (Nuten B-C) wie gezeichnet



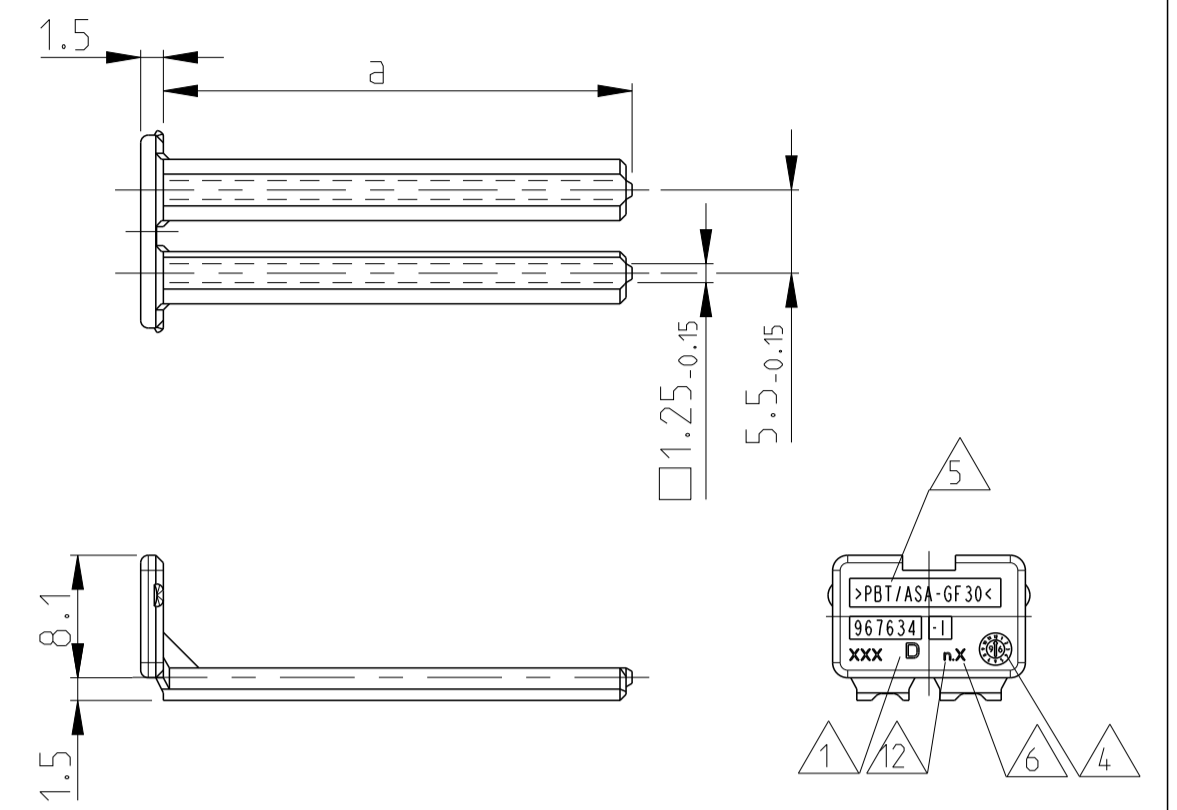
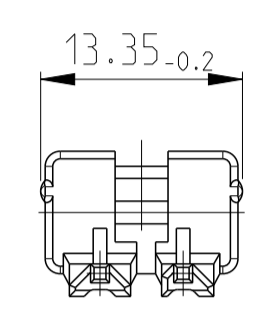
|  |       |   |    |      |      |    |    |       |
|--|-------|---|----|------|------|----|----|-------|
|  | 10.7g | 6 | 30 | 42.8 | 42.5 | 21 | 36 | 0.7g  |
|  | 9.4g  | 5 | 25 | 37.8 | 37.5 | 18 | 31 | 0.65g |
|  | 8.3g  | 4 | 20 | 32.8 | 32.5 | 15 | 26 | 0.55g |
|  | 6.9g  | 3 | 15 | 27.8 | 27.5 | 12 | 21 | 0.5g  |
|  | 5.8g  | 2 | 10 | 22.8 | 22.5 | 9  | 16 | 0.4g  |
|  | 4.5g  | 1 | 5  | 17.8 | 17.5 | 6  | 11 | 0.35g |

CODING A: CAVITY NUMBER. (CAVITIES ONLY SYMBOL.)  
 Kodierung A: Kammerbezeichnung. (Kammern nur symbol. dargest.)

WEIGHT n b<sub>±0.2</sub> c<sup>±0.1</sup> d<sub>±0.3</sub> POSITIONS Polzahl a<sub>±0.5</sub> WEIGHT Gewicht



2



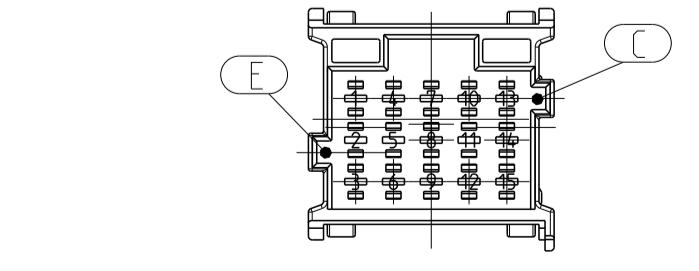
967634-1 AS SHOWN  
 wie gezeichnet

- 1 ACTIVE COMPANY LOGO AND SINGLE PART NUMBER  
Aktuelles Firmen-Logo und Bestell-Nr. Einzelteil
- 2 PRODUCTION-DATE  
Produktionsdatum
- 3 CAVITY-MARKING  
Kammerbezeichnung
- 4 THE REVISION STATUS OF THE MOULD  
Aenderungsstand des Werkzeuges
- 5 MATERIAL-MARKING ACC. TO Werkstoffkennzeichnung nach VDA 260
- 6 MOLD CAVITY-MARKING  
Nestmarkierung
- 7 WARPAGE TO ... PERMITTED  
Verzug bis ... zulaessig
- 8 a: DIMENSION RESP. WEIGHT SECONDARY LOCKING DEVICE  
a: Mass bzw. Gewicht der zweiten Kontaktsicherung
- 9 PACKAGING: LOOSE PIECE IN CORRUGATED BOX FOR BOTH PARTS (CONDITIONED HOUSING IN PLASTIC BAG)  
Verpackung: Beide Teile werden Lose im Karton geliefert (konditionierte Gehaeuse in Kunststoff-Beutel)
- 10 CAVITIES MATING WITH TAB, 2.8mm (WITHOUT SINGLE WIRE SEAL)  
MAX. WIRE SIZE 2.5mm<sup>2</sup> FLR - SEE DRAWING:  
Kontaktkammern passend fuer Flachstecker, 2.8mm (ohne Einzel-Dichtungs-System)  
max. Drahtgrosessenbereich 2.5mm<sup>2</sup> FLR - siehe Zeichnung: TE-No.: 1355052
- 11 MALFUNCTION CAUSED BY LACQUER IS NOT COVERED BY TE WARRANTY  
Funktionsbeeintraechtung durch Lackieren liegt nicht im Einfluss und Gewaehrleistungsumfang von TE
- 12 TOOL-NUMBERING  
Werkzeugnummerierung

| CODING / Kodierung D                             |   |   |              | CODING / Kodierung C           |            |   |            | CODING / Kodierung B   |            |   |            | CODING / Kodierung A |                    |            |     |                                |            |     |                                |            |                   |                                |            | MECHANICAL CODING: mechanische Kodierung: |                                |            |     |                                |            |     |                                |            |   |                                |   |               |  |  |
|--|---|---|--------------|--------------------------------|------------|---|------------|------------------------|------------|---|------------|----------------------|--------------------|------------|-----|--------------------------------|------------|-----|--------------------------------|------------|-------------------|--------------------------------|------------|---|--------------------------------|------------|-----|--------------------------------|------------|-----|--------------------------------|------------|---|--------------------------------|---|---------------|--|--|
| RIBS / Nuten: C-E                                |   |   |              | RIBS / Nuten: B-D              |            |   |            | RIBS / Nuten: A-C      |            |   |            | D E                  |                    |            | D E |                                |            | E D |                                |            | RIBS / Nuten: B-C |                                |            | D E                                       |                                |            | D E |                                |            | D E |                                |            |   |                                |   |               |  |  |
| 967635-1   | D | 2 | 21 POS. pol. | CLAY BROWN Lehm-braun          | 4-967630-1 | G | 3-967630-1 | G                      | 2-967630-1 | G | -          | -                    | -                  | 1-967630-6 | G   | GENTIAN BLUE enzian-blau       | 1-967630-5 | G   | RAPE YELLOW raps-gelb          | 1-967630-4 | G                 | YELLOW GREEN gelb-gruen        | 1-967630-3 | G   | TRAFFIC PURPLE verkehrs-purpur | 1-967630-2 | G   | SLATE GREY schiefer-grau       | 1-967630-1 | G   | CLAY BROWN Lehm-braun          | -          | - | -                              | 1 | 21 POS. polig |  |  |
| 967634-1   | D | 2 | 18 POS. pol. | SLATE GREY schiefer-grau       | 4-967629-1 | G | 3-967629-1 | G                      | 2-967629-1 | G | -          | -                    | -                  | 1-967629-6 | G   | CLAY BROWN Lehm-braun          | 1-967629-5 | G   | GENTIAN BLUE enzian-blau       | 1-967629-4 | G                 | RAPE YELLOW raps-gelb          | 1-967629-3 | G   | YELLOW GREEN gelb-gruen        | 1-967629-2 | G   | TRAFFIC PURPLE verkehrs-purpur | 1-967629-1 | G   | SLATE GREY schiefer-grau       | 1-967629-0 | G | GRAPHITE BLACK graphit-schwarz | 1 | 18 POS. polig |  |  |
| 967633-1   | D | 2 | 15 POS. pol. | TRAFFIC PURPLE verkehrs-purpur | 4-967628-1 | G | 3-967628-1 | G                      | 2-967628-1 | G | -          | -                    | -                  | 1-967628-6 | G   | SLATE GREY schiefer-grau       | 1-967628-5 | G   | CLAY BROWN Lehm-braun          | 1-967628-4 | G                 | GENTIAN BLUE enzian-blau       | 1-967628-3 | G   | RAPE YELLOW raps-gelb          | 1-967628-2 | G   | YELLOW GREEN gelb-gruen        | 1-967628-1 | G   | TRAFFIC PURPLE verkehrs-purpur | -          | - | -                              | 1 | 15 POS. polig |  |  |
| 967632-1   | D | 2 | 12 POS. pol. | YELLOW GREEN gelb-gruen        | 4-967627-1 | G | 3-967627-1 | G                      | 2-967627-1 | G | -          | -                    | -                  | 1-967627-6 | G   | TRAFFIC PURPLE verkehrs-purpur | 1-967627-5 | G   | SLATE GREY schiefer-grau       | 1-967627-4 | G                 | CLAY BROWN Lehm-braun          | 1-967627-3 | G   | GENTIAN BLUE enzian-blau       | 1-967627-2 | G   | RAPE YELLOW raps-gelb          | 1-967627-1 | G   | YELLOW GREEN gelb-gruen        | -          | - | -                              | 1 | 12 POS. polig |  |  |
| 967631-1   | D | 2 | 9 POS. pol.  | RAPE YELLOW raps-gelb          | 4-967626-1 | G | 3-967626-1 | G                      | 2-967626-1 | G | -          | -                    | -                  | 1-967626-6 | G   | YELLOW GREEN gelb-gruen        | 1-967626-5 | G   | TRAFFIC PURPLE verkehrs-purpur | 1-967626-4 | G                 | SLATE GREY schiefer-grau       | 1-967626-3 | G   | CLAY BROWN Lehm-braun          | 1-967626-2 | G   | GENTIAN BLUE enzian-blau       | 1-967626-1 | G   | RAPE YELLOW raps-gelb          | -          | - | -                              | 1 | 9 POS. polig  |  |  |
| 968271-1   | D | 2 | 6 POS. pol.  | GENTIAN BLUE enzian-blau       | 4-965641-1 | G | 3-965641-1 | G                      | 2-965641-1 | G | 1-965641-7 | G                    | FLAME RED feuerrot | 1-965641-6 | G   | RAPE YELLOW raps-gelb          | 1-965641-5 | G   | YELLOW GREEN gelb-gruen        | 1-965641-4 | G                 | TRAFFIC PURPLE verkehrs-purpur | 1-965641-3 | G   | SLATE GREY schiefer-grau       | 1-965641-2 | G   | CLAY BROWN Lehm-braun          | 1-965641-1 | G   | GENTIAN BLUE enzian-blau       | -          | - | -                              | 1 | 6 POS. polig  |  |  |
| SECONDARY LOCKING DEVICE zweite Kontaktsicherung |   |   |              | CLARET VIOLET / bordauxviolett |            |   |            | LIGHT BLUE / lichtblau |            |   |            | NATURAL / natur      |                    |            |     |                                |            |     |                                |            |                   |                                |            |   |                                |            |     |                                |            |     |                                |            |   |                                |   |               |  |  |

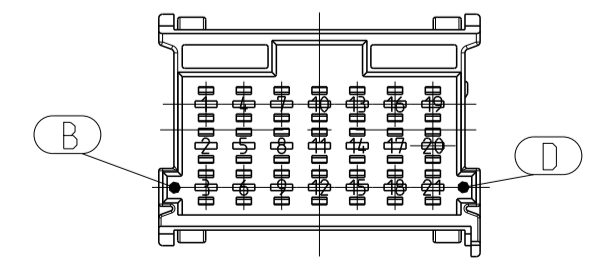
FURTHER MECHANICAL CODINGS: weitere mechanische Kodierungen:

SCALE 1:1



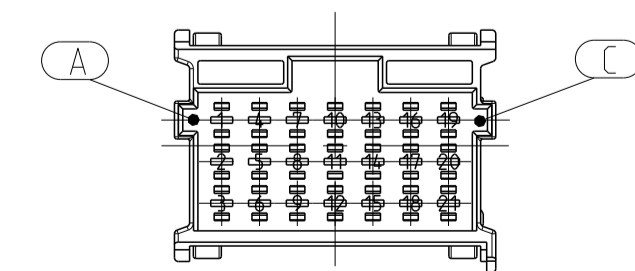
CODING D (GROOVES C-E) (Nuten C-E)

4-967628-1 SHOWN AS EXAMPLE als Beispiel gezeigt



CODING C (GROOVES B-D) (Nuten B-D)

3-967630-1 SHOWN AS EXAMPLE als Beispiel gezeigt



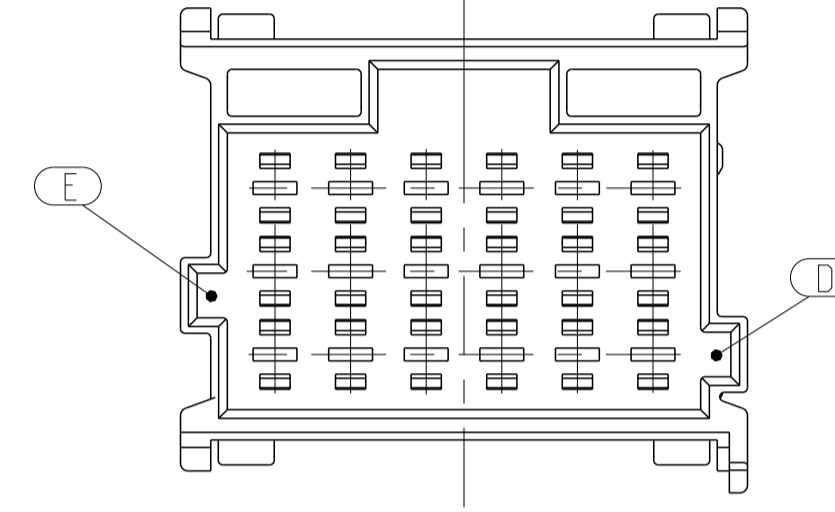
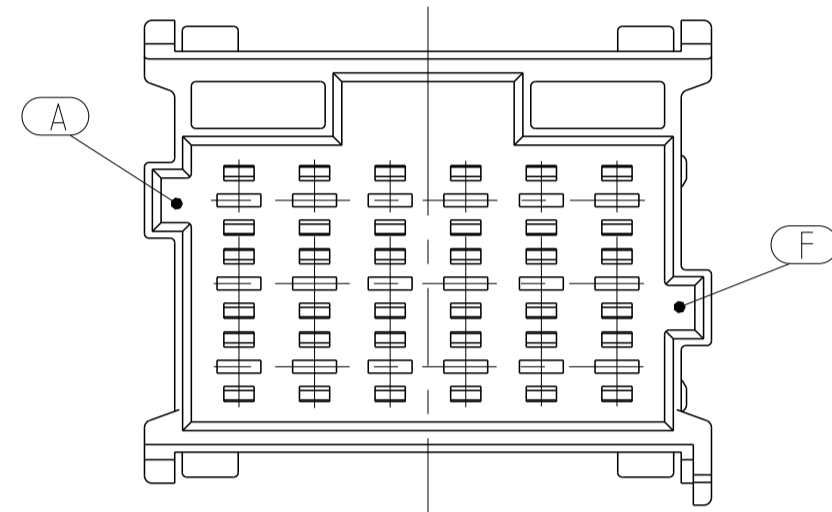
CODING B (GROOVES A-C) (Nuten A-C)

2-967630-1 SHOWN AS EXAMPLE als Beispiel gezeigt

|  |   |                          |                          |                |  |                              |                             |               |
|--|---|--------------------------|--------------------------|----------------|--|------------------------------|-----------------------------|---------------|
| THIS DRAWING IS A CONTROLLED DOCUMENT. |   | OWN R. Gerlach 15APR1998 | CHK R. Huebner 15APR1998 | APVD 15APR1998 | NAME PRODUCT GROUP DRAWING: TAB HOUSING (2.8mm), 6-21POS. AND SECONDARY LOCKING DEVICE | SIZE 114855                  | CAGE CODE DRAWING NO. 00779 | RESTRICTED TO |
| DIMENSIONS: mm                         | TOLERANCES UNLESS OTHERWISE SPECIFIED: % ISO 2001 | APPLICATION SPEC         |                          |                | PRODUCT SPEC   | WEIGHT                       | SCALE 2:1                   | SHEET 1 OF 2  |
| MATERIAL SEE TABLE                     | FINISH SEE TABLE                                  | WEIGHT SEE TABLE         |                          |                | Customer Drawing   | SCALE 2:1 SHEET 1 OF 2 REV E |                             |               |

| REVISIONS |     |             |      |      |
|-----------|-----|-------------|------|------|
| P.        | LTN | DESCRIPTION | DATE | APVD |
| -         | -   | SEE SHEET 1 | -    | -    |
|           |     |             |      |      |
|           |     |             |      |      |

# ADDITIONAL CODINGS / Zusätzliche Kodierungen



| CODING / Kodierung F                             |                                |      | MECHANICAL CODING: mechanische Kodierung: |
|--|--------------------------------|------|---|
| RIBS / Nuten: A-F                                |                                |      |   |
| 6-967630-1                                       | G                              |      | 21 POS. pot.                              |
| 6-967629-1                                       | G                              |      | 18 POS. pot.                              |
|  |                                |      | 15 POS. pot.                              |
| 6-967627-1                                       | G                              |      | 12 POS. pot.                              |
|  |                                |      | 9 POS. pot.                               |
| 6-965641-1                                       | G                              |      | 6 POS. pot.                               |
| CUSTOMER PART NUMBER<br>Kunden-Einzelteil-Nummer | TE ORDER-NO.<br>TE Bestell-Nr. | REV. | DESCRIPTION<br>Benennung Einzelteil       |

D E

| CODING / Kodierung E                             |                                |      | MECHANICAL CODING: mechanische Kodierung: |
|--|--------------------------------|------|---|
| RIBS / Nuten: E-D                                |                                |      |   |
| 5-967630-1                                       | G                              |      | 21 POS. pot.                              |
| 5-967629-1                                       | G                              |      | 18 POS. pot.                              |
|  |                                |      | 15 POS. pot.                              |
| 5-967627-1                                       | G                              |      | 12 POS. pot.                              |
|  |                                |      | 9 POS. pot.                               |
| 5-965641-1                                       | G                              |      | 6 POS. pot.                               |
| CUSTOMER PART NUMBER<br>Kunden-Einzelteil-Nummer | TE ORDER-NO.<br>TE Bestell-Nr. | REV. | DESCRIPTION<br>Benennung Einzelteil       |

D E

ORANGE / orange

EMERALD GREEN / smaragdgruen

THIS DRAWING IS A CONTROLLED DOCUMENT.

|                     |  |                          |                          |                  |  |
|---------------------|--|--------------------------|--------------------------|------------------|--|
| DIMENSIONS: mm      | TOLERANCES UNLESS OTHERWISE SPECIFIED: # 100 BOS # 100 WORKING | OWN: K.Gerlach 15APR1998 | CHK: R.Huebner 15APR1998 | APVD: 15APR1998  | NAME: PRODUCT GROUP DRAWING: TAB HOUSING (2.8mm). 6-21POS. AND SECONDARY LOCKING DEVICE. Produkt-Gruppen-Zeichnung fuer: Flachstecker Gehaeuse (2.8mm), 6-21pol. und zweite Kontaktsicherung |
| 0 PLC ±             | 1 PLC ±  | 2 PLC ±                  | 3 PLC ±                  | 4 PLC ±          | ANGLES ±   |
| MATERIAL: SEE TABLE | FINISH: SEE TABLE  | WEIGHT: SEE TABLE        | SIZE: A1                 | CAGE CODE: 00779 | DRAWING NO: C=1355072  |
| Customer Drawing    |  |                          | SCALE: 2:1               | SHEET: 2 OF 2    | REV: E   |

4805 (3/13)

# Mouser Electronics

Authorized Distributor

Click to View Pricing, Inventory, Delivery & Lifecycle Information:

[TE Connectivity:](#)

[2-967627-1](#)